

PRODUCT SHEET

/ entervo.pay



Product Highlights

- / Automatic pay station for flexible payment options and media technologies
- / Brilliant LED touchscreen display for simple operation
- / Also perfectly suited for ticketless systems
- / Optionally with a low pedestal for people with disabilities

About the Product

The entervo.pay automatic pay station makes an impression through its contemporary and user-friendly design, and stands out due to its high degree of flexibility.

Evaluation of parking media based on the proven barcode or magstripe technology is complemented by new media such as 2D barcodes, RFID technology and license plates.

As an option alongside the classic payment with coins, banknotes or credit cards can be accepted.

During operation, the pay station proves itself user-friendly time and time again. This is due to its large touch screen monitor and the easy to understand payment process that utilises recognisable symbols.

Thanks to the "Green Efficiency" technology with energy efficient hardware concepts, power consumption can be reduced by up to 70%.

PRODUCT SHEET

/ entervo.pay



Operation

- Vertically mounted touch screen monitor (39.6 cm / 15.6", 768 x 1366 pixels)
- Intuitive user guidance via symbols and multilingual text
- LED Lighting strips for accentuation of operating elements
- Illuminated issue tray
- Intercom substation with call button, microphone and loudspeaker (8 Ω)

Media technologies

- The following units are available:
 - Ticketless Parking: Touch screen monitor for entering licence plate numbers
 - BKV40 or BKV40 XL for the processing of barcode tickets
 - TPU for the processing of barcode tickets and/or magnetic tickets
 - Detailed information can be found in the corresponding components' data sheets

Coin processing

- Electronic coin acceptor for up to 16 different types of coin
- 4 self-filling change stores (hoppers) for each type of coin
- Capacity: 2 change stores which hold 290 coins and 2 which hold 560 coins (Reference values based on 1€ coins. Smaller/larger coins differ)
- Issue of 4 different types of coin
- Self-locking coin box made out of stainless steel, content 7 litres for approx. 5,700 coins
- Optionally with up to 3 additional change stores (hoppers) for up to 1,200 coins respectively

Banknote processing systems

- Please refer to the overview "Banknote Processings"

Cashless means of payment

- Various payment terminals can be integrated

Receipts

- Printed on standard thermal paper roll

Housing

- Stainless Steel Housing
- IP protection class according to IEC 60529: IP43
- Option of integrating pedestal made of galvanized sheet steel (450 mm or 160 mm high)

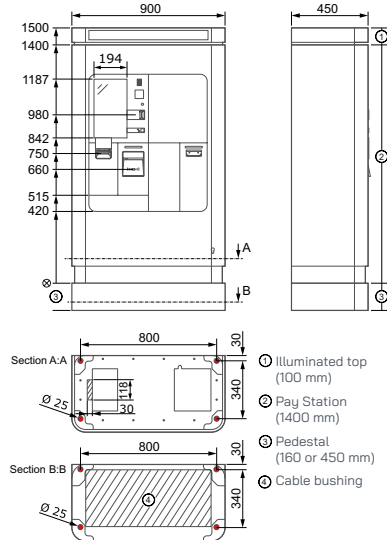
Standard colours

- Housing:
 - RAL 1003 (signal yellow) or RAL 9016 (traffic white)
 - Special colour according to S&B colour range available as an option
- Front panel and pedestal:
 - RAL 7043 (traffic grey B)

Illuminated tops (option)

- Optional LED-illuminated top with backlit lettering

Dimensions (mm)



Connections / power supply

- Power supply (100-240 VAC ±10 %, 50-60 Hz) / Network (LAN) / Intercom

Power consumption (approx.)

- Basic configuration: 50W
- additional 500W during heating mode
- Illuminated top: 14W

Place of installation

- USA: Protected locations or indoor use
- Canada: Suitable for indoor use only
- All other countries: Protected locations or indoor use; also suitable for outdoor use if the device is equipped with a special rain protection kit
- Display must be protected from direct solar radiation
- Temperature range: -25 °C ... +50 °C
- Relative humidity: < 95%

Weights (approx.)

- Pay Station: 250 kg
- Steel pedestal: 13 kg (160 mm) - 25 kg (450 mm)

Approvals and conformity

- Approval name according to name plate affixed to the device: PKA40
- Europe: CE Mark
- USA/Canada: NRTL approval by TÜV SÜD America Inc.; Certificate No. U8 17 10 28197 030

Extras

- Special locks
- Transponder reader
- Front-facing 2D barcode scanner for eTickets (print@home)
- Other special equipment upon request