

# PRODUCT SHEET

/ entervo.barrier



## Product Highlights

- / Barrier gate with intelligent drive controller
- / High quality and security
- / Robust mechanics for intensive operation with 100% duty cycle
- / Standard or articulated barrier arm for low clearance
- / 3 integrated inductive vehicle detectors
- / Illuminated barrier arm as option

## About the Product

The entervo.barrier gate is designed for access control of parking garages and car parks.

Perfect running performance, achieved by electronic speed control and optimised mechanics, protecting both the motor and the gears.

An efficient drive concept with a powerful 24V BLDC-gear and robust components ensure intensive operation with a 100% duty cycle.

# PRODUCT SHEET

/ entervo.barrier



## Motor and transmission

- Powerful brushless 24 V DC motor (BLDC) with multistage planetary gear
- Drive-supporting balancing springs
- Designed for intensive use up to 100% duty cycle (= continuous operation)
- Can be quickly and simply changed from right-hand drive to left-hand drive

## Barrier control

- Intelligent motor controller MO24 including:
  - Configuration via joystick and four-digit LED display
  - Electronic rotation speed control and end position detection for perfect running
  - 3 adjustable speeds for different barrier arms
  - 3 loop detectors

## Safety features

- Barrier arm with rubber lower edge
- Barrier arm sensor in barrier beam shaft
- Auto-reverse function upon detection of an obstruction
- Mechanical emergency release via release lever
- Automatic opening by additional module (optional) in case of power failure

## Protection against vandalism

- Fastening of the barrier arm with plastic screws as predetermined breaking point
- Stainless-steel screws, which are also included in the delivery, allow for higher wind loads
- Adjustable clamp connection in the barrier mechanics helps to prevent damage in case of pushing or pulling the barrier arm downward or upward

## Available barrier arm types and length

- Powder-coated aluminium in white/red colour
- Right hand and left hand applicable
- Straight or articulated barrier arm in length of 2.5 m, 3.0 m or 3.5 m
- Illuminated barrier arm (straight or articulated) as option
- Non-illuminated barrier arms can be cut to the desired length on-site

## Opening and closing times

- Depending on type and length of barrier arm: 1.3 s, 1.8 s or 2.5 s

## External connections

- Power supply (88V - 264V, 47Hz - 63Hz)
- Control and acknowledge signals
- 3 inductive loops

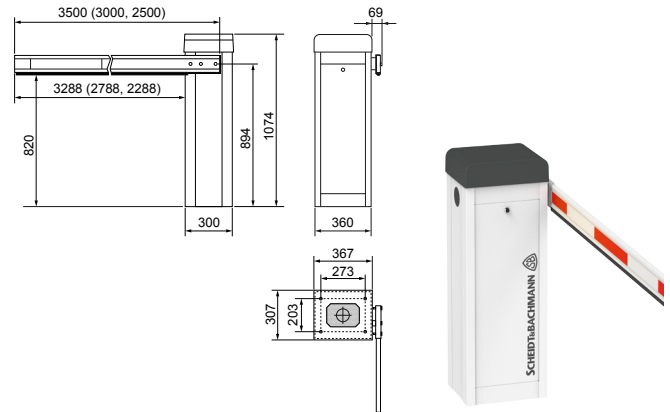
## Power consumption (approx.)

- Standby: approx. 5 Watt
- Operation: approx. 70 - 85 Watt (depending on barrier arm length)

## Housing

- Powder-coated housing made of aluminium with clamping technology, patent pending
- For indoor and outdoor use
- IP protection class according to IEC 60529: IP54

## Dimensions (mm)



## Standard colours

- Hood: RAL 7043 (traffic grey B)
- Housing base: RAL 1003 (signal yellow) or RAL 9016 (traffic white)
- Housing base in special colour according to S&B colour range available as an option

## Place of installation

- Temperature range: -20 °C ... +50 °
- Relative humidity: ±0 % ... 95 % (non-condensing)

## Weight (approx.)

- 58 kg without barrier arm

## Approvals and conformity

- Europe: CE Mark
- USA/Canada: NRTL approval is in preparation
- Approval name according to name plate affixed to the device: AS40e

## Extras

- Adapter plate for using the existing anchor bolts of AS30/AS32 (predecessor models)
- LAN via RJ45 plug
- Hand-held transmitter / radio receiver for remote-controlled opening/closing of the barrier
- Service socket / CEE 7/3
- Other special equipment upon request

## Notes

- The barrier gate is not designed for use by motorcycles, bicycles or pedestrians!
- The barrier gate is not suited for functions subject to higher security demands, e.g. safeguard against crossing hazard (railway), breakthrough (ferry access, military security areas), etc!